

# Precision Digital Dial Indicators

## **Electr. Digital Dial Indicator**

- standard model for industry and craft
- with USB data output
- aluminium housing with sturdy plastic cover
- large LCD display with clear reading, digit height 10 mm
- stem and spindle stainless, hardened and lapped
- exchangeable probe tips, M 2.5
- On/Off button, ABS and Preset function
- zero setting at any position, mm/inch switchable
- min./max., tol. and set function  
(selection and indication of tolerance limits)
- with a flat cover and cover with lug
- incl. 1x 3 V battery (type CR2032, art.-no.: 2002093), with operation manual

### Option

- data transfer via cable, art.-no. 2420192, see page 304



ART No 242060

ART No 242063

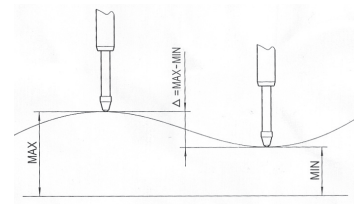
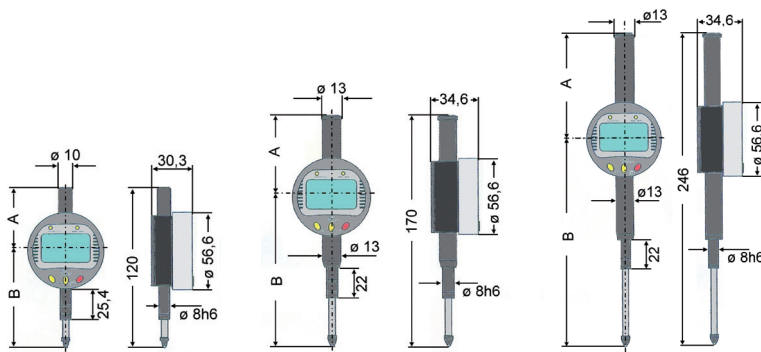
ART No 242160

ART No 242055

ART No 242161

ART No 242056

ART No 242057



ART No	mm / inch	mm / inch	mm	max. 1) mm	measuring force N	min/ max tol/set	A mm	B mm	KG	ART No CC
242060	0 - 12.7 / 0 - 0.5	0.01 / 0.0005	0.010	0.010 1)	< 1.50	✓	75	50	0.100	2494200
242055	0 - 12.7 / 0 - 0.5	0.001 / 0.00005	0.003	0.05	< 1.50	✓	75	50	0.100	2494200
242160	0 - 12.7 / 0 - 0.5	0.001 / 0.00005	0.003	0.05	< 1.50	✓	75	50	0.100	2494200
242163	0 - 25.4 / 0 - 1.0	0.01 / 0.0005	0.010	0.015 1)	< 1.50	✓	120	60	0.100	2494201
242056	0 - 25.4 / 0 - 1.0	0.001 / 0.00005	0.003	0.05	< 1.50	✓	110	60	0.115	2494201
242161	0 - 25.4 / 0 - 1.0	0.001 / 0.00005	0.003	0.06	< 1.50	✓	110	60	0.100	2494201
242057	0 - 50.8 / 0 - 2.0	0.001 / 0.00005	0.003	0.05	< 1.50	✓	160	90	0.125	2494202
242164	0 - 50.8 / 0 - 2.0	0.01 / 0.0005	0.010	0.030 1)	< 1.50	✓	155	85	0.100	2494202
242162	0 - 50.8 / 0 - 2.0	0.001 / 0.00005	0.03	0.08	< 1.50	✓	155	85	0.100	2494202
242063	0 - 12.7 / 0 - 0.5	0.01 / 0.0005	0.010	0.020 1)	< 1.50	✗	75	45	0.115	2494200
242061	0 - 25.4 / 0 - 1.0	0.01 / 0.0005	0.010	0.020 1)	< 1.50	✗	110	60	0.115	2494201
242062	0 - 50.8 / 0 - 2.0	0.01 / 0.0005	0.010	0.020 1)	< 1.50	✗	160	90	0.125	2494202

Data cable for digital measuring instruments see page 304